

INSTALLATION INSTRUCTIONS

2018 T/B/F/H Bimini Top

G3 Angler V21F

PARTS LIST

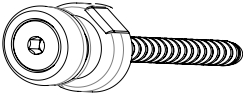


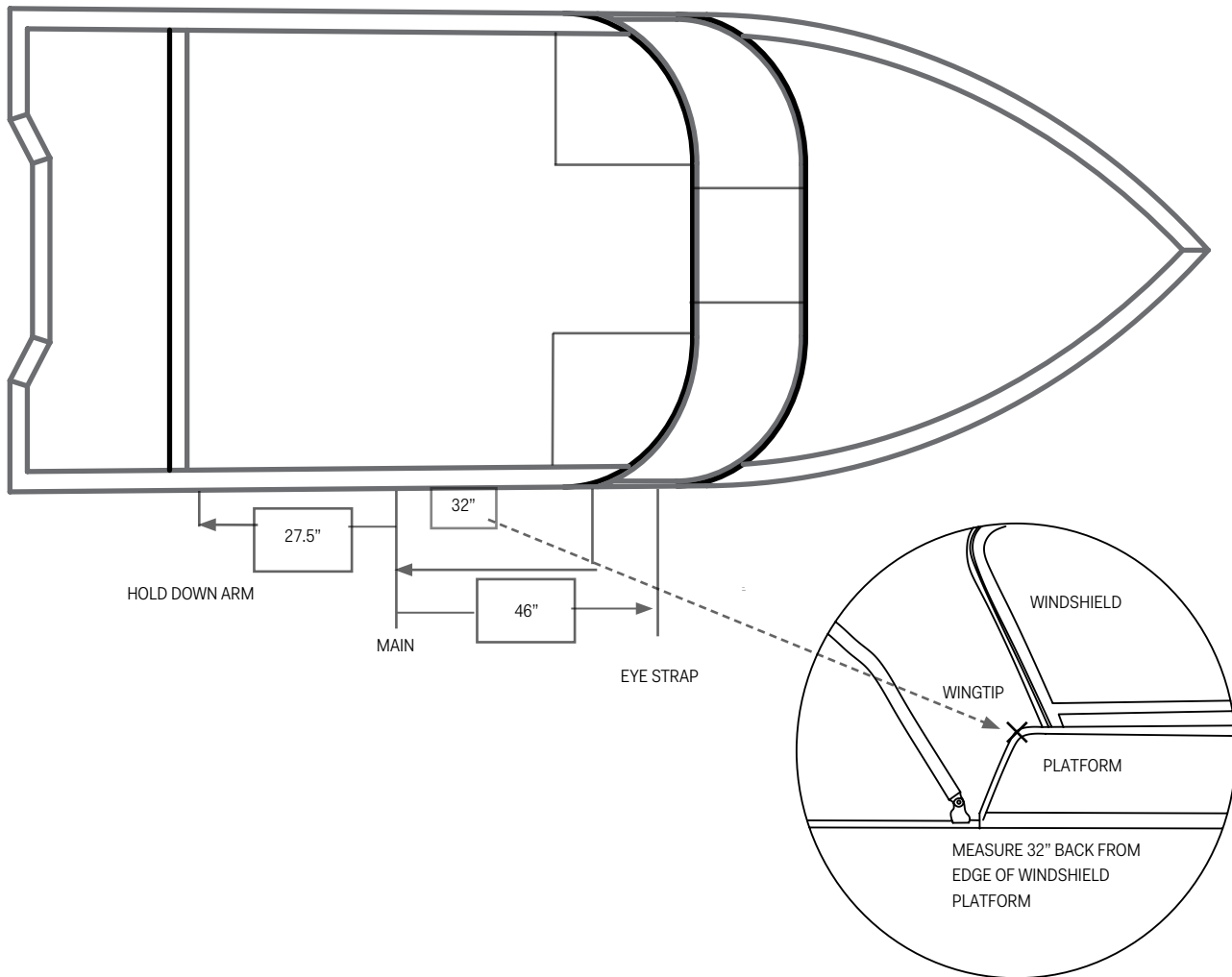
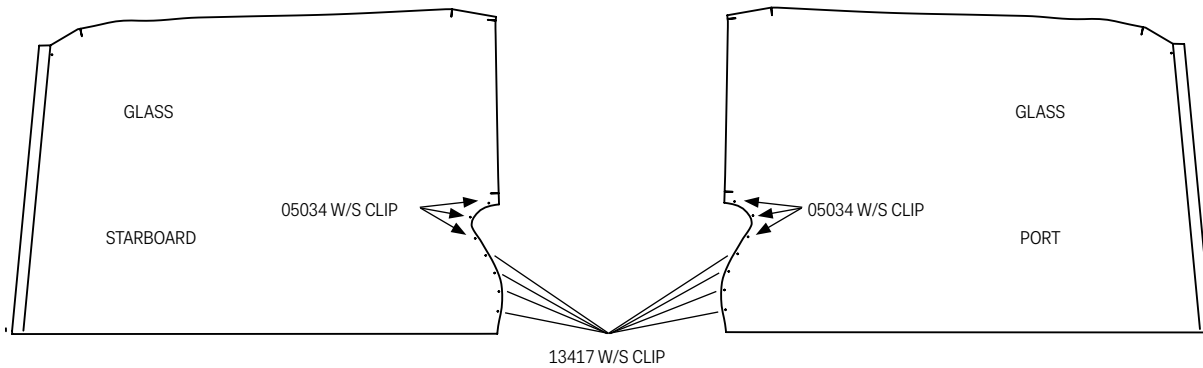
<i>Deck Button Hardware</i>	<i>Eye Strap Hardware</i>
 x4	 x2
	 x2

FIG. 1



BUTTON LOCATION AND MOUNTING



STEP 1:

Install the deck buttons and eye straps on top of the gunwale 1" out from the inside edge of boat. Starting at the edge of the windshield platform, measure backward 32" for the main frame button location. Then, measure 27.5" back from the main for the hold-down arm. Measure 46" forward from the main for the eye strap location.

STEP 2:

Center buttons at each mark.

STEP 3:

Install the frame on the buttons. Two people may be required to prevent damage to the boat.

STEP 4:

Attach the web straps to the frame eye straps and then secure the straps to the eye straps installed on the gunwale.

STEP 5:

Mount the windshield clips that are in a separate bag, there are six, in the location that the drawing indicates the 05034 windshield clips should go. The rest of the windshield clips should mount where indicated in the above drawing.



NOTE

1. MAIN FRAME BUTTONS TO BE MOUNTED WITH THE RELEASE LATCH TOWARD FRONT OF BOAT. OTHER BUTTONS MOUNTED WITH RELEASE LATCH TO THE REAR.
2. ALL MEASUREMENTS TO THE CENTER-LINE OF BUTTONS.

STOWING THE TOP

This frame can stow in radar arch position (with boot) when cruising, but must stow flat on the deck when trailering.

CARE



WARNING

DO NOT TRAILER BOAT WITH TOP IN RADAR ARCH POSITION!



CAUTION

DO NOT STOW TOP WHILE WET!